

## FEATURES

- RoHS compliant, single-port serial communications adapter for USB 2.0 or 3.0
- Supports full-duplex RS-422 protocol
- Includes type FT232R UART with 128-byte receive/256-byte transmit FIFO buffers
- Speeds up to 5Mbps asynchronous
- Supports 7 or 8 data bits, 1 or 2 stop bits, and odd / even / mark / space / no parity
- $\pm 15\text{kV}$  ESD Protection (IEC 6100) on RS-422 signals
- All required power drawn from host USB port, no external power adapter required
- Compact, industrial, metal backshell
- Operating temperature of  $-40^{\circ}$  to  $+85^{\circ}\text{C}$
- Supported for use in Windows CE

## FACTORY OPTION

- -Term          RC Termination

## APPLICATIONS

- Scales
- Data entry terminals
- Data acquisition and automation modules
- Transportation



## FUNCTIONAL DESCRIPTION

The USB-422-IND is a rugged industrial serial communications adapter designed for use in demanding real-world applications such as transportation, military embedded control systems, remote data acquisition, mobile, and more. This intelligent module provides a cost-effective solution for transferring high-speed asynchronous serial data over USB. The adapter provides easy connectivity between the computer and standard communication ports or remote serial devices. No PC reconfiguration, assignment of IRQs, or jumper settings required. The adapter will be recognized as a USB to Serial Adapter and install in the system as a standard COM port.

## ACCESSORIES

The module is available with an optional screw terminal adapter board model ADAP9 to break out signals for ease of connection.

## SOFTWARE

The USB-422-IND is a plug-and-play device using the built in OS drivers which allows quick connect or disconnect without having to fumble with locating driver media whenever you need an RS-422 port. The USB-422-IND is supported for use in most USB supported operating systems and includes a free Linux and Windows compatible software package. The software package includes sample programs and source code in C#, Delphi, Visual Basic, and Visual C++ for Windows.

## SPECIFICATIONS

### Communications Interface

Serial Port: RS-422  
 Connector: DB-9 Male  
 Character Length: 7 or 8 bits  
 Parity: Even, odd, mark, space or none  
 Stop Interval: 1 or 2 bits  
 Serial Data Rates: 300bps up to 5Mbps asynchronous  
 Input/Output Voltage:  $\pm 14V$   
 Receiver Input Sensitivity:  $\pm 200mV$   
 Termination:  $120\Omega$  w/ $0.01\mu F$  capacitor (Factory Option)  
 Bias: Transceiver and Receiver via  $10K\Omega$   
 ESD Protection:  $\pm 15kV$  on all signal pins

### Bus Type

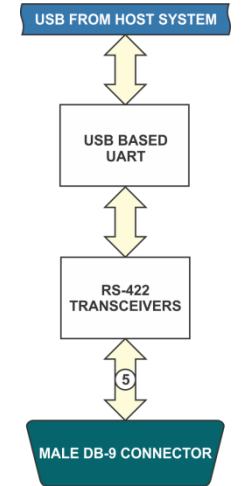
USB 2.0 Full-Speed  
 USB 3.0 Compatible

### Environmental

Operating Temp:  $-40^{\circ}$  to  $+85^{\circ}C$   
 Storage Temp:  $-65^{\circ}$  to  $+150^{\circ}C$   
 Humidity: 5% to 95%, non-condensing  
 Power Required: 5VDC at  $\sim 11mA$  with no load  
 Cable Length: 6 feet  
 Backshell Dimensions:  $1.236'' \times 0.657'' \times 2.094''$   
 ( $31.4mm \times 16.7mm \times 53.2mm$ )

### Ordering Guide

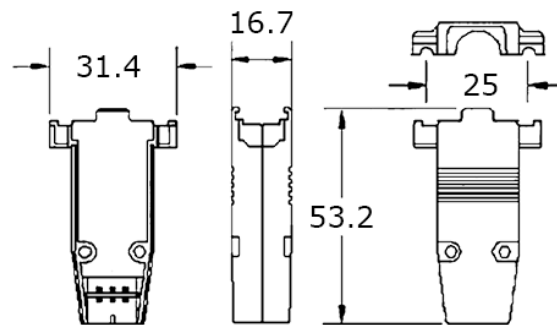
USB-422-IND                      USB to RS-422 industrial serial adapter  
 USB-422-IND-TERM            As above, including termination



**BLOCK DIAGRAM**

PIN	DB9M
1	-RX
2	+TX
3	-TX
4	
5	GND
6	
7	
8	
9	+RX

**Pinout Table**



Units: mm $\pm 0.5$

**Backshell Drawing**

